

# BE! CLEAR™

Installation Instructions

**PLEASE READ ALL INSTRUCTIONS  
BEFORE INSTALLATION**



## INCLUDED HARDWARE

The packaging of one be! Clear unit consists of:

- One (1) 64.75" x 40" (1645 mm x 1016 mm) glass panel
- Four (4) legs with casters attached (**Fig. A**)
- Four (4) spacer plates (**Fig. B**)
- Twelve (12) plastic bushings (**Fig. C**)
- Two (2) allen keys (**Fig. D**)
- Twenty four (24) M8 flat head socket cap screws (**Fig. E**)
- Twelve (12) threaded inserts (**Fig. F**)

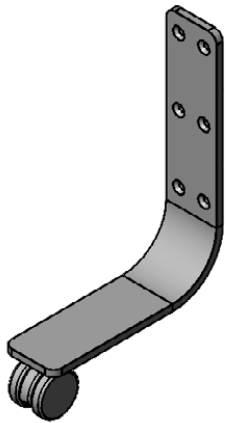


Fig. A Leg with caster, QTY: 4

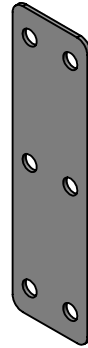


Fig. B Spacer plate QTY: 4



Fig. C Plastic bushing QTY: 12



Fig. D Allen Key, QTY: 2

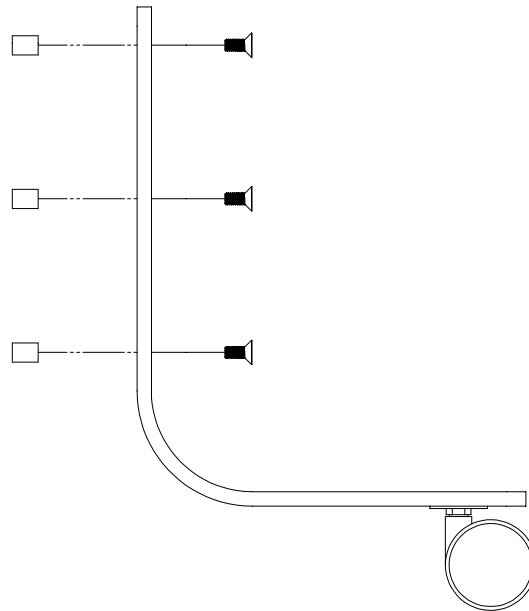


Fig. E M8 Flat head socket cap screw, QTY: 24



Fig. F Threaded insert, QTY: 12

Fig. G



## STEP 1

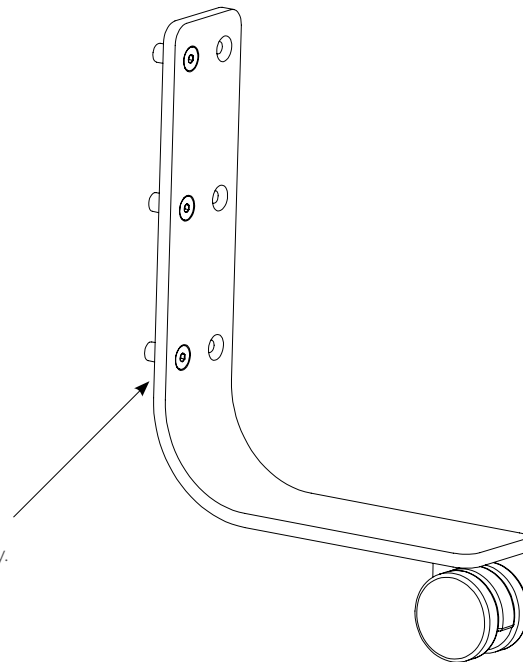
Place the leg on any flat surface, (leg must always be oriented so it looks like an 'L' when seen from the top).

Align three (3) M8 flat head socket screws with the top three (3) counter-sunk holes on the leg and then, by hand, attach the three (3) threaded inserts from other side of the leg as shown **(Fig. G)**.

Threaded inserts should always be on the left side of the leg as shown **(Fig. H)**.

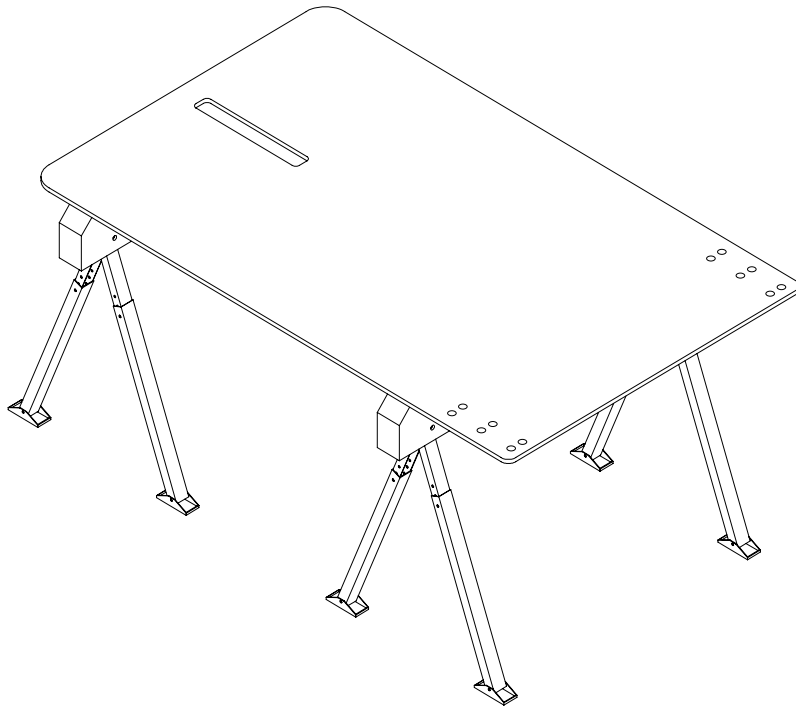
Repeat for remaining legs.

Fig. H



Always put inserts on left row of holes.  
Right row of holes should be left empty.

Fig. I (be! Clear shown with thermometer cutout).



## STEP 2

Place the glass on a flat surface. Make sure the holes are away from the flat surface to give more room to assemble the legs as shown (Fig. I).

Align spacer plate and three (3) plastic bushings with the inserts on the leg and hold them together (Fig. J).

Fig. J

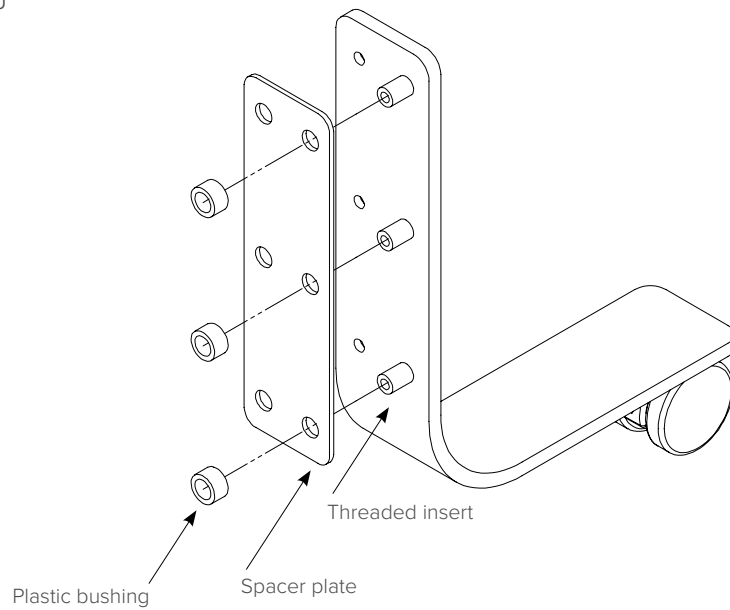
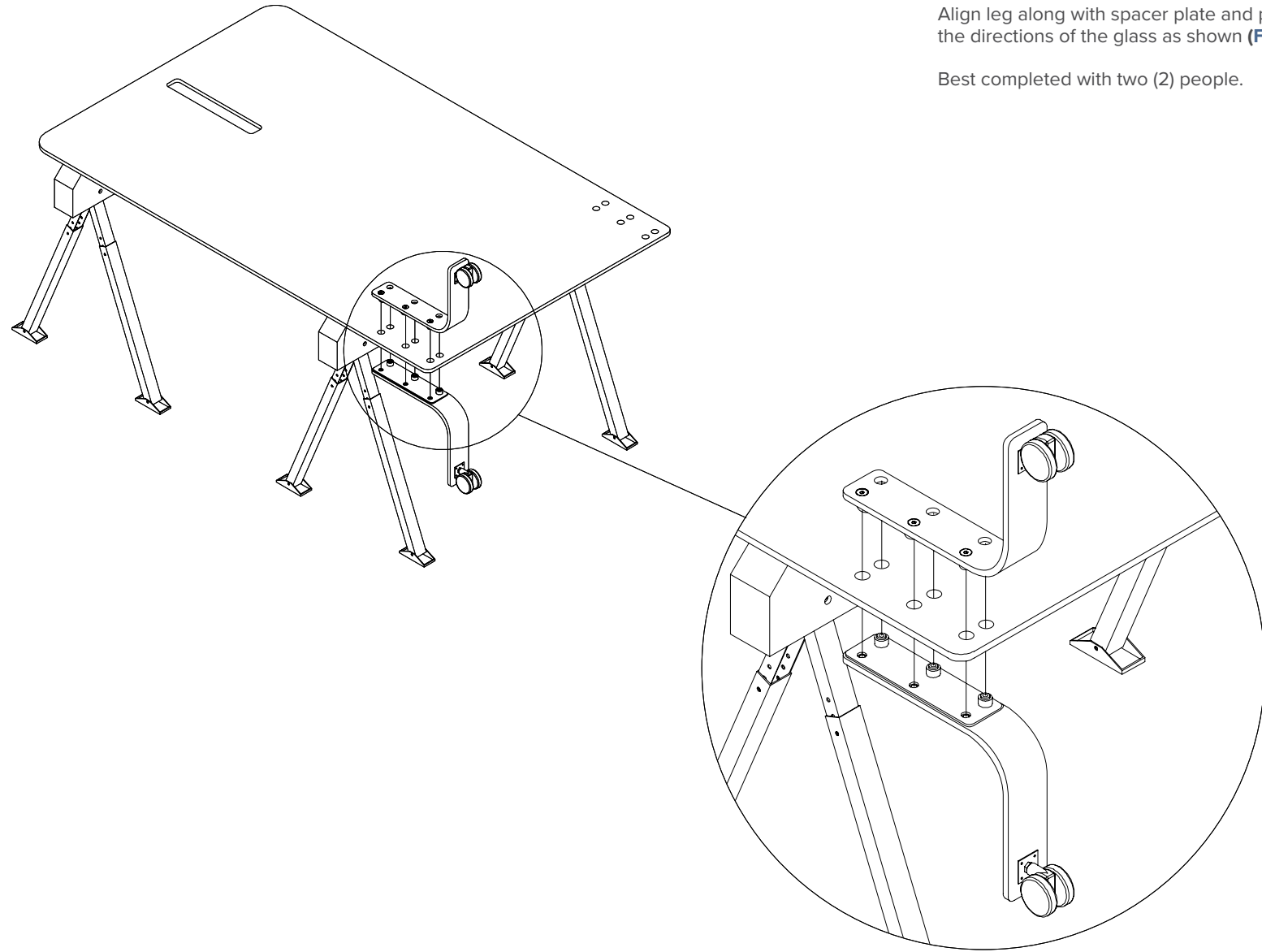


Fig. K (be! Clear shown with thermometer cutout).

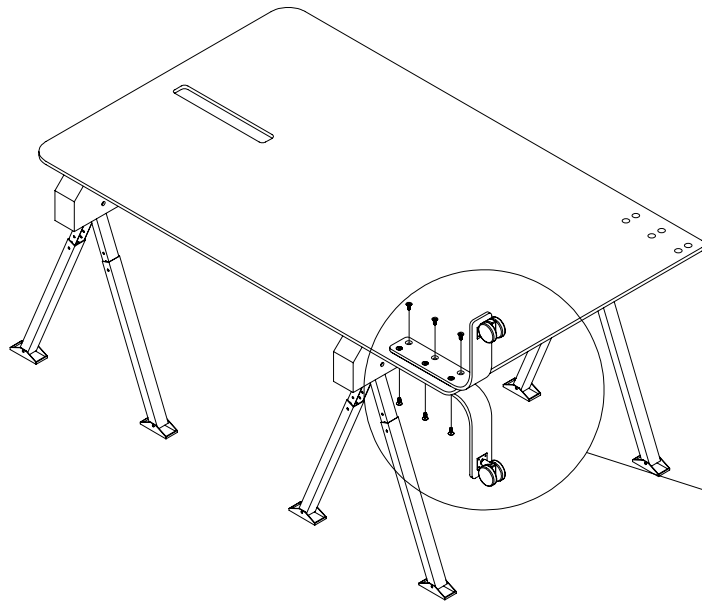


### STEP 3

Align leg along with spacer plate and plastic bushings from both the directions of the glass as shown (**Fig. K**).

Best completed with two (2) people.

Fig. L (be! Clear shown with thermometer cutout).



## STEP 4

While one (1) person holds the glass and leg together, a second person should start six (6) screws into the empty holes of the legs by hand and tighten them with the allen keys provided (**Fig. L**).

Attach the legs on other side of the glass as described in the previous steps (**Fig. M**).

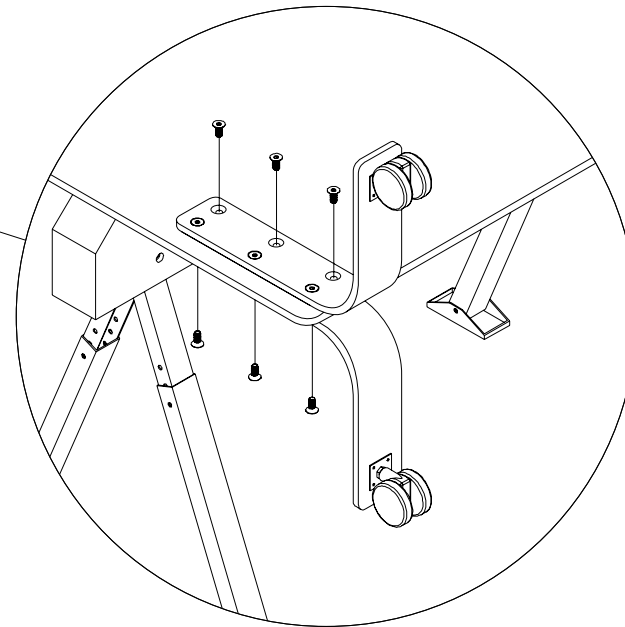
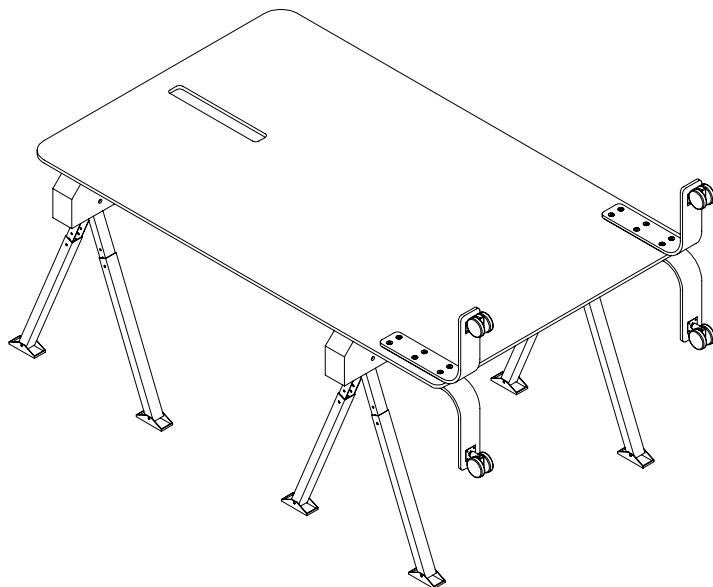
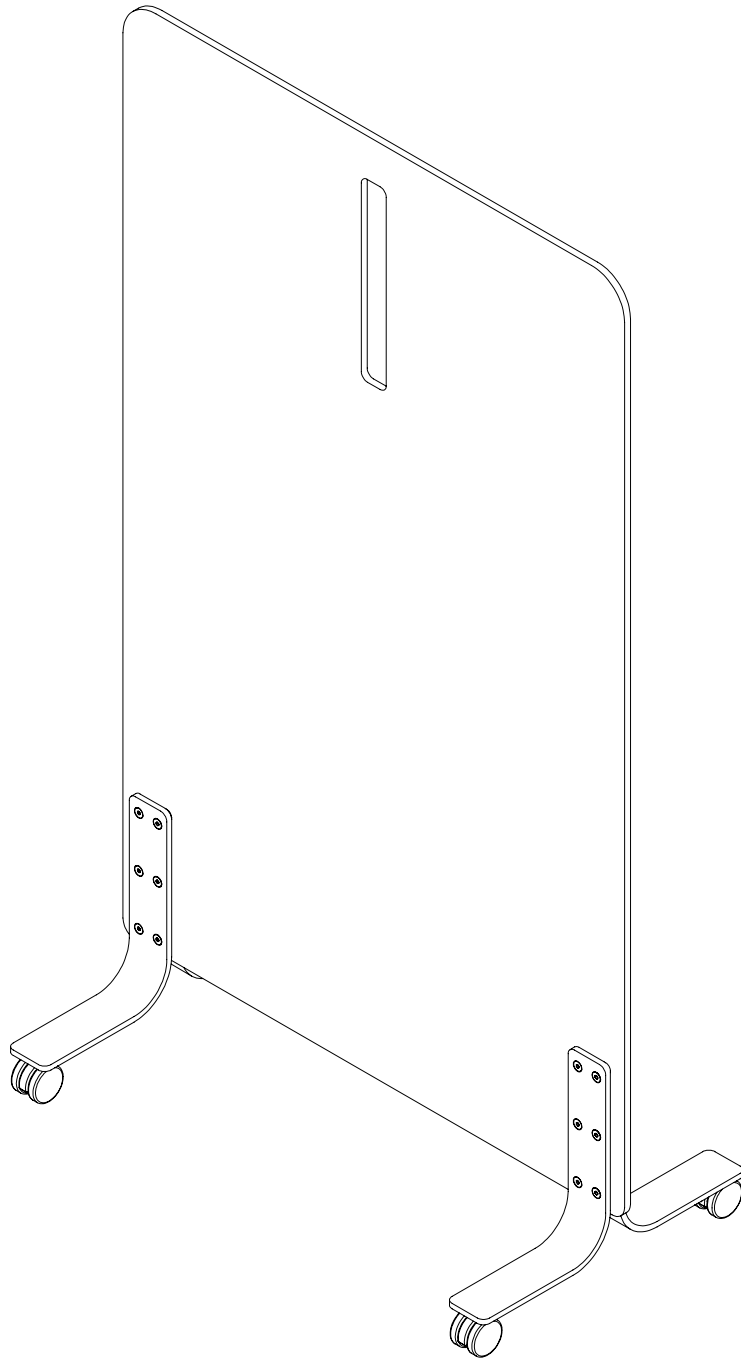


Fig. M (be! Clear shown with thermometer cutout).





---

## STEP 5

When all legs are installed, gently set your be! Clear upright.

Your be! Clear is now assembled and ready!