

BE! WALL™

Installation Instructions

**PLEASE READ ALL INSTRUCTIONS
BEFORE INSTALLATION**



INCLUDED HARDWARE

The packaging of one be! Wall unit consists of:

- One (1) be! Wall panel with glass, PET, & TruMount™ clips attached (**Fig. A**)
- Six (6) TruMount brackets (**Fig. B**)
- Twelve (12) Philips head screws (**Fig. C**)
- Twelve (12) Wall anchors (**Fig. D**)

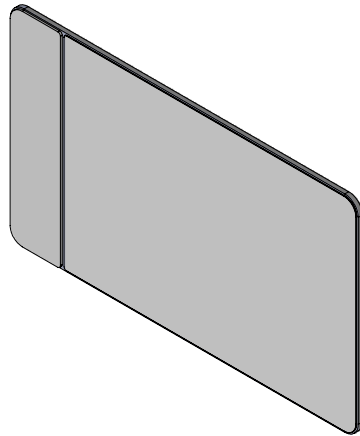


Fig. A be! Wall panel with glass, PET, & TruMount clips attached

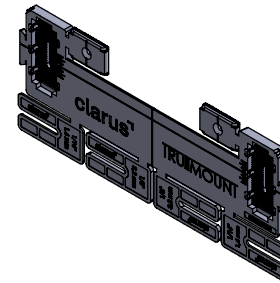


Fig. B TruMount brackets QTY: 6

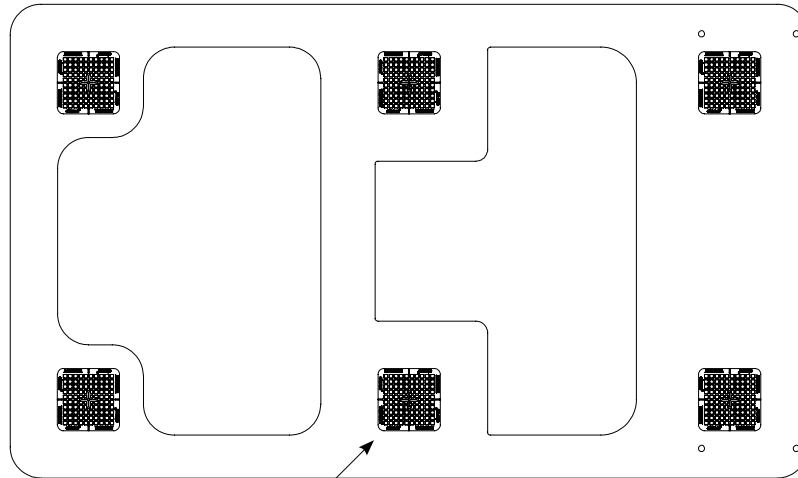


Fig. C Philips head screw QTY: 12



Fig. D Wall anchors QTY: 12

Fig. E (behind view of be! Wall)



TruMount clips behind be! Wall panel

STEP 1

NOTE: TruMount clips will come already installed on the boards (Fig. E).

Starting from planned installation center, measure down from where the top of the board should be on the wall and make a mark at 9.25" (235mm) and 36" (914mm) (Fig. F).

Set up a horizontal laser line on the mark at 9.25" (235mm) from top (Fig. F).

Fig. F

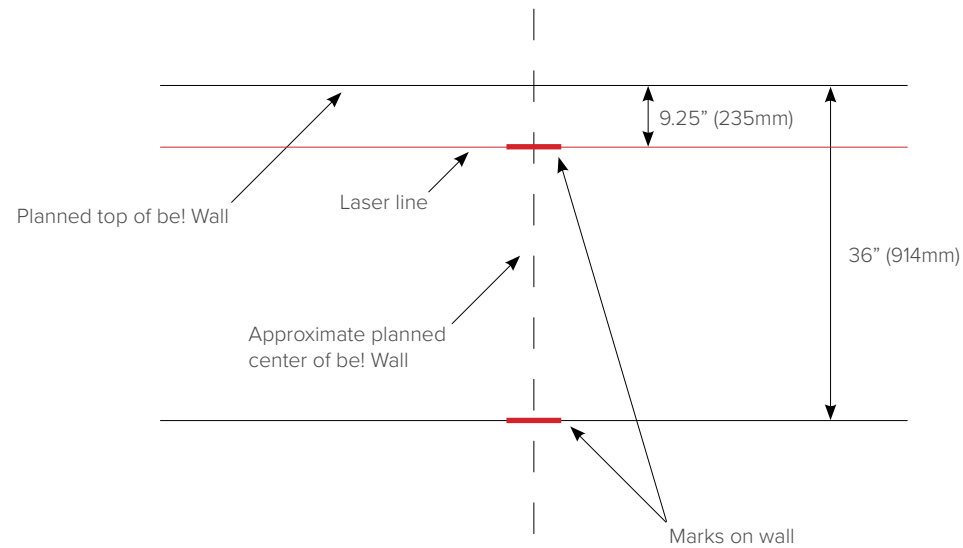
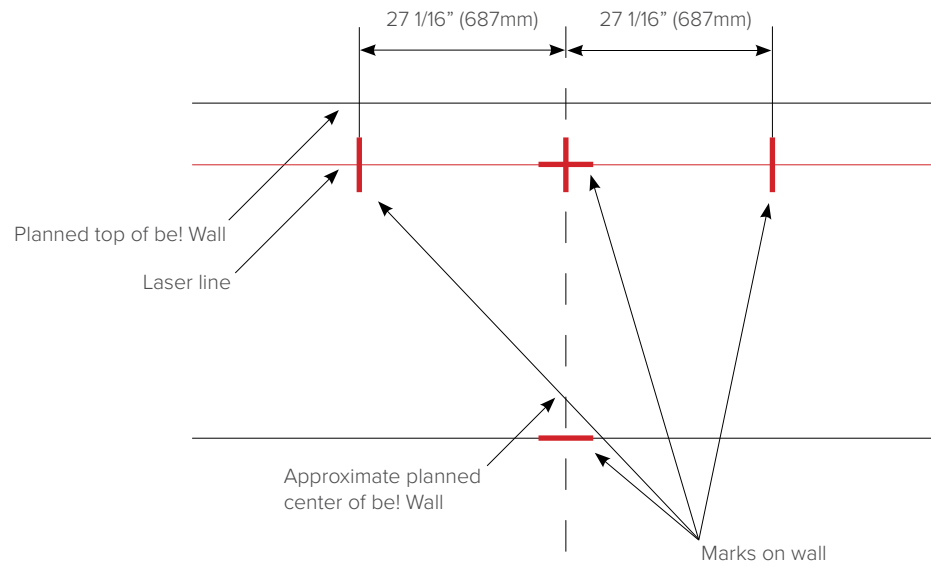


Fig. G



STEP 2

Starting from planned installation center, measure 27 1/16" (687mm) on each side of the center, make a 3" (76mm) vertical mark centered on the laser line and do the same mark on installation center (Fig. G).

STEP 3

Break the sliders off of the TruMount bracket and snap them into their slots. Align the line on the sliders to the center line on the bracket (Fig. H).

Fig. H

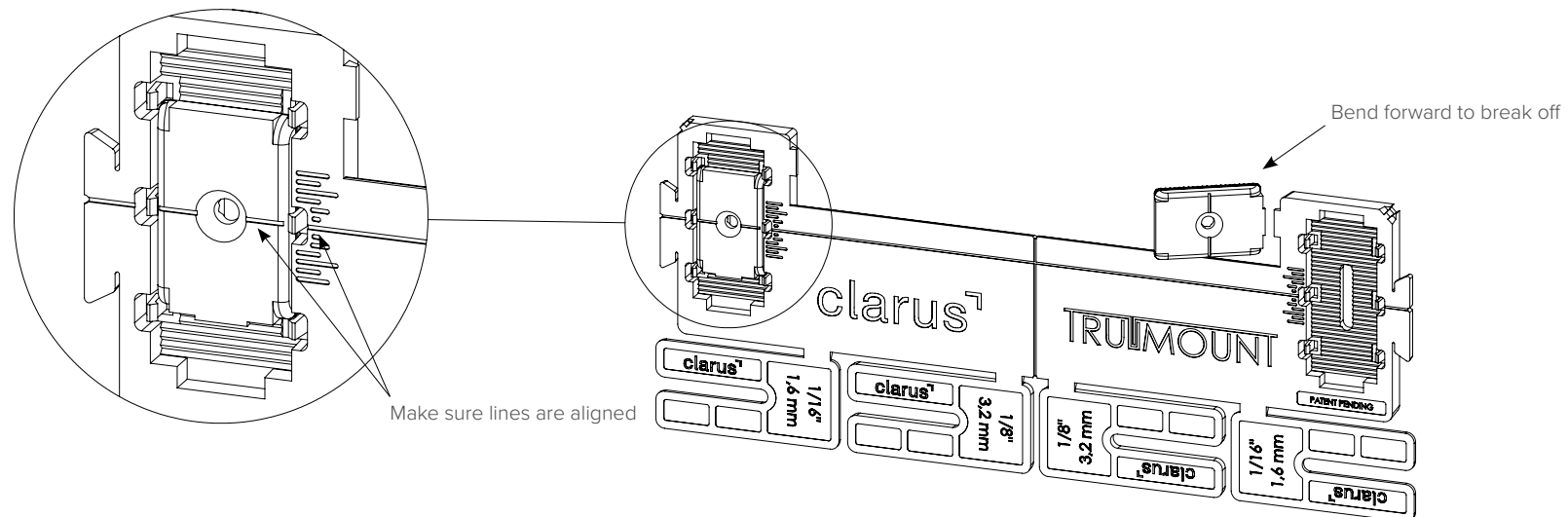
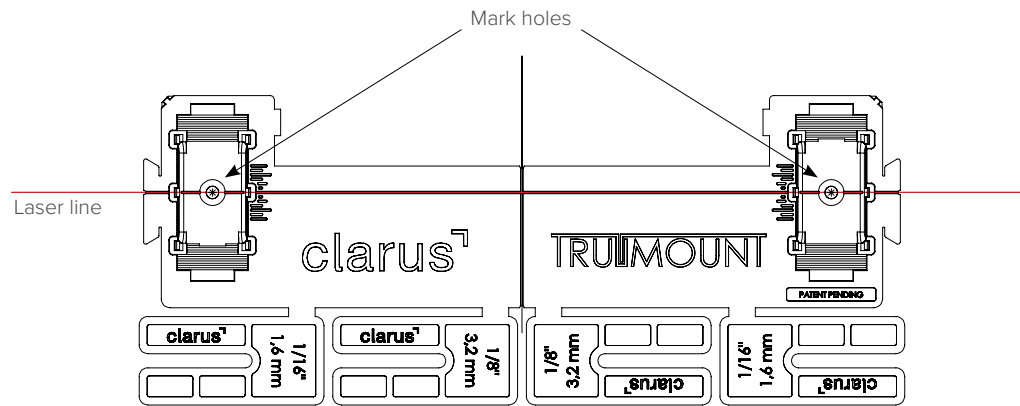


Fig. I



STEP 4

Hold the TruMount bracket against the wall, aligning it with the laser line and the first 3" (76mm) vertical line. Mark both hole locations (**Fig. I**).

Drill $1/4"$ (6mm) holes on those marks and install wall anchors (**Fig. J**).

Fig. J

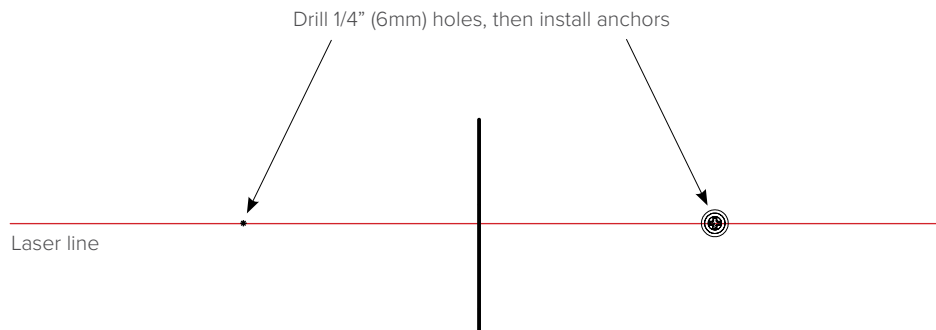
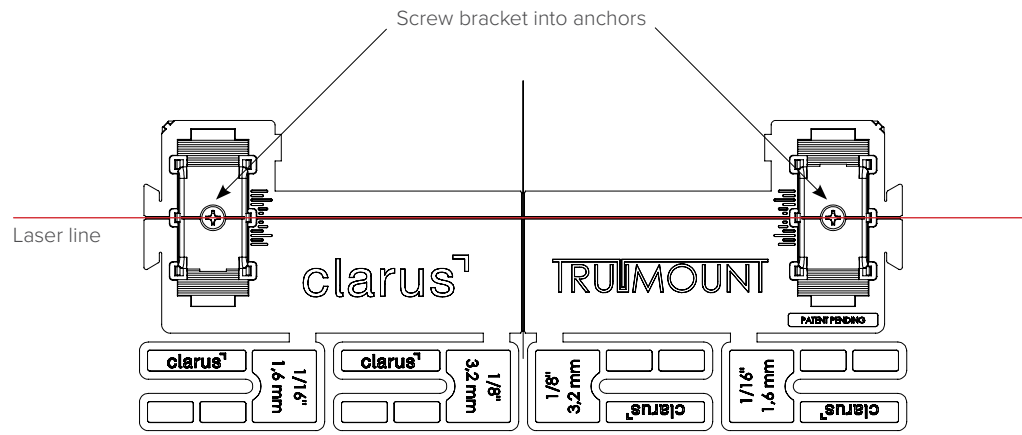


Fig. K

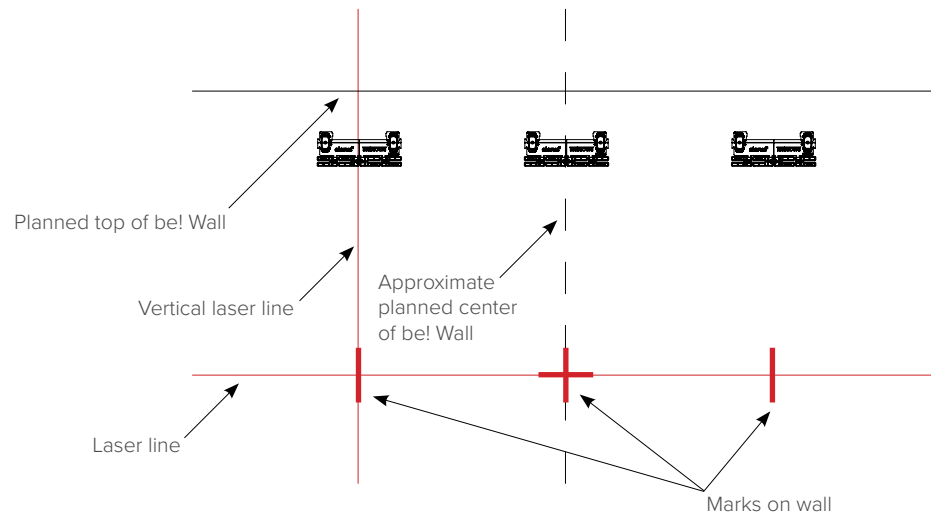


STEP 5

Use 2" (51mm) flat head screws to screw the bracket to the wall and tighten the bracket down without any shims behind it (**Fig. K**).

Repeat to install all brackets on that row.

Fig. L



STEP 6

Move the laser line down to the mark for the next row.

Using a vertical laser line or level, make 3" (76mm) vertical marks centered on the horizontal laser line directly below the marks from the top row (Fig. L).

Repeat Steps 4 and 5 on all the brackets in this row (Fig. M).

Fig. M

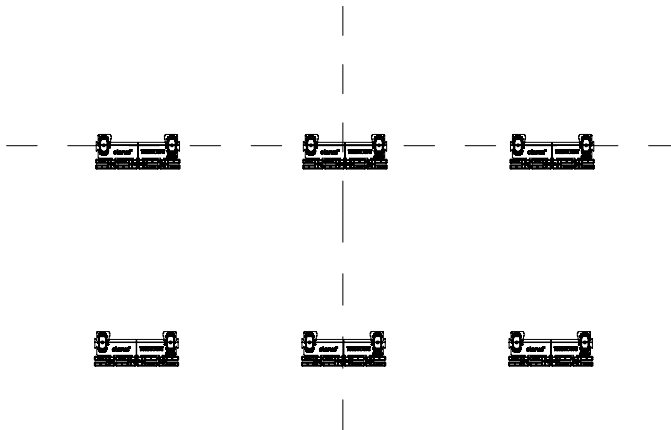
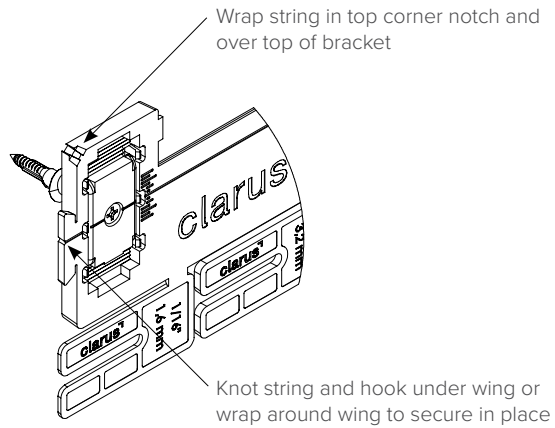


Fig. N



STEP 7

Secure a string to the left wing of the top left TruMount bracket, wrap the string over the top left corner notch, and bring it across the top of that row of TruMount brackets. Pull the string tight and wrap it over the top right corner notch of the top right TruMount bracket, then secure it to the right wing (**Fig. N**).

Examine all TruMount brackets on that row to make sure they are all level with each other, both up and down (**Fig. O**) and front to back (**Fig. P**). Make sure the string is not high centered on any of the middle brackets or the wall.

Fig. O

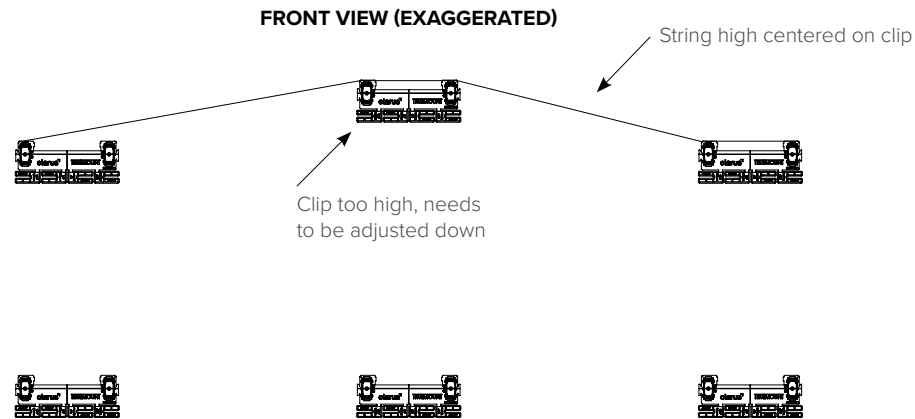
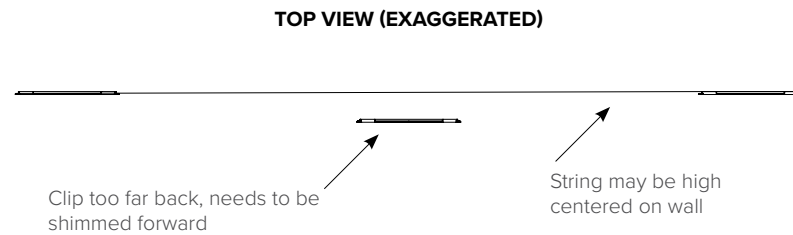


Fig. P



STEP 8

If a TruMount bracket needs adjustment up or down, loosen the two screws and click the bracket up or down. The two ends of the bracket can be adjusted independently if needed (**Fig. Q**).

Fig. Q

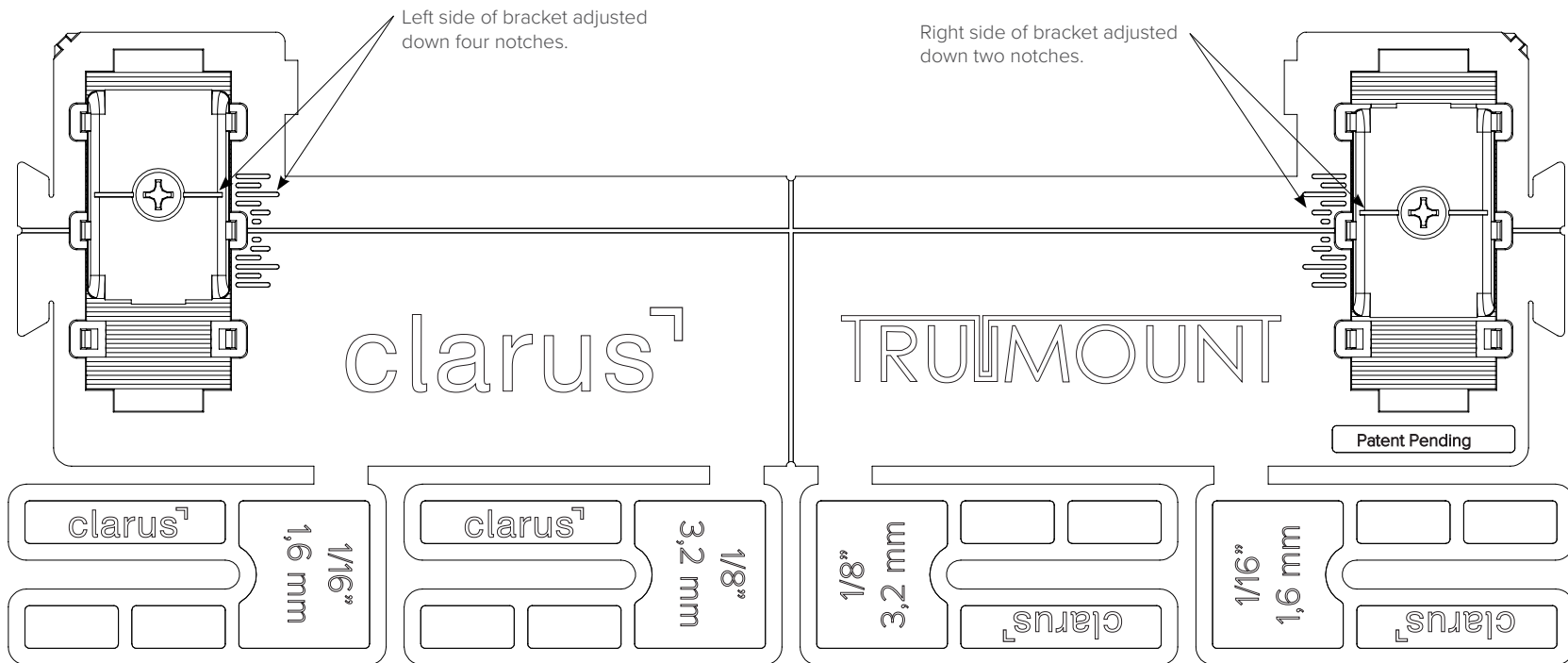
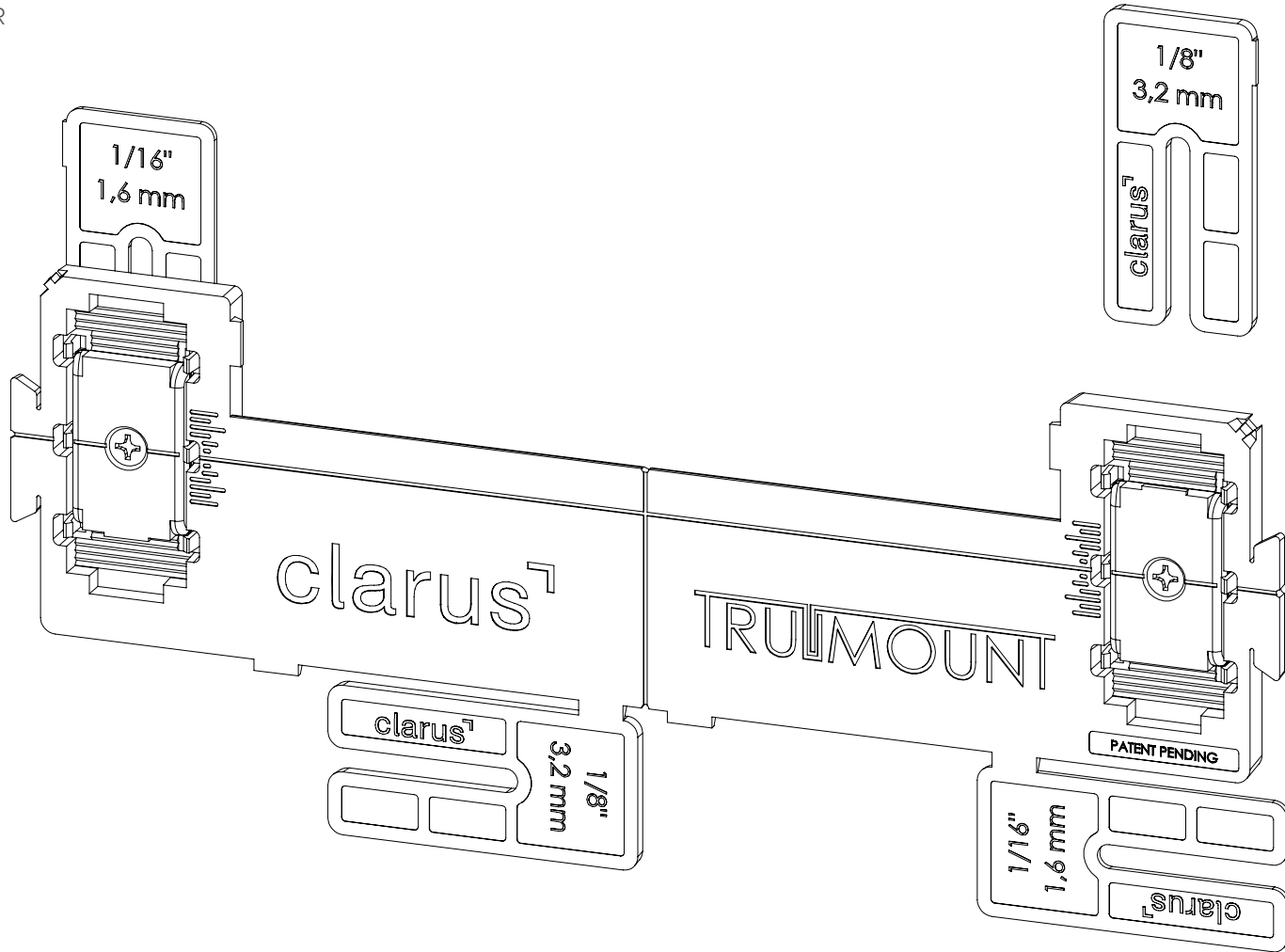


Fig. R

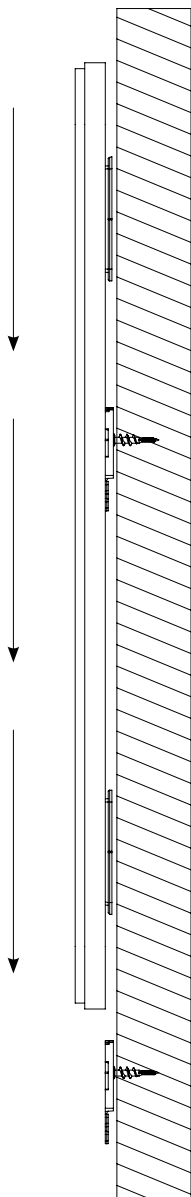


STEP 9

If a bracket needs to be adjusted forward, break shims off of the bottom edge of the bracket, loosen the screws, and slide the shims over the screws behind the bracket. Then, re-tighten screws (**Fig. R**).

Repeat with all rows and columns until all the brackets are level and shimmed out as needed.

Fig. S (Side view)



STEP 10*

Once all the TruMount brackets are adjusted on the wall, hold the back of the be! Wall panel with TruMount clips onto the wall just above the TruMount brackets and slide it down slowly until each TruMount clip sits in the pockets of the TruMount bracket. Adjust the be! Wall panel left/right accordingly.

**This step is best completed with two people.*

Fig. T (Side isometric)

